



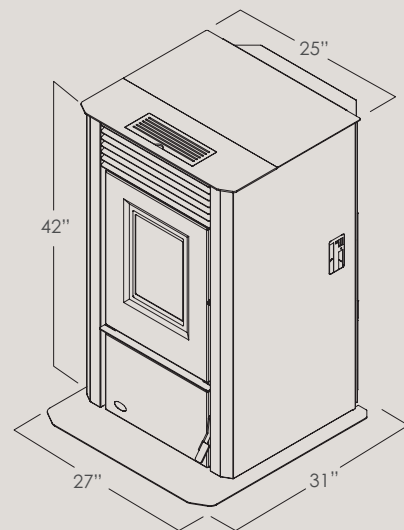
MAXX Freestanding Pellet Stove

**Design Features**

- Tri-mode operating system
- Large 1320 in<sup>2</sup> heat exchanger
- Dual chamber ash pan removal
- Automatic controls
- Remote thermostat compatible
- Massive 130 lbs hopper capacity
- Tri-mode thermostat
- 455 cfm variable speed fan
- MAXX-M is multi-fuel compatible

**Stove Details**

Model	MAXX-M	MAXX
BTU Max Input	60,000 BTU	70,000 BTU
Heating Area	2,500 ft <sup>2</sup>	2,700 ft <sup>2</sup>
Efficiency	79.5%	86%
Glass Size	117 in <sup>2</sup>	117 in <sup>2</sup>
EPA Emissions	2.3 g/hr	2.3 g/hr
Hopper Capacity	130 lbs	130 lbs
Stove Dimensions	27"w 31"d 42"h	



**Performance Specifications**

Model	Mini	Empress	EF3	Meridian	M55 Cast	M55 Steel	MAXX-M	MAXX
BTU Max Input	30,000 BTU	35,000 BTU	40,000 BTU	45,000 BTU	55,000 BTU	55,000 BTU	60,000 BTU	70,000 BTU
Heating Area	1,200 ft <sup>2</sup>	1,600 ft <sup>2</sup>	1,800 ft <sup>2</sup>	2,000 ft <sup>2</sup>	2,500 ft <sup>2</sup>	2,500 ft <sup>2</sup>	2,500 ft <sup>2</sup>	2,700 ft <sup>2</sup>
Efficiency	75%	83.5%	75.8%	75.8%	76.6%	76.6%	79.5%	86%
Glass Size	130 in <sup>2</sup>	250 in <sup>2</sup>	185 in <sup>2</sup>	185 in <sup>2</sup>	231 in <sup>2</sup>	169 in <sup>2</sup>	117 in <sup>2</sup>	117 in <sup>2</sup>
EPA Emissions	1.6 g/hr	1.7 g/hr	1.9 g/hr	1.1 g/hr	2.0 g/hr	2.0 g/hr	2.3 g/hr	2.3 g/hr
Hopper Capacity	48 lbs	55 lbs	55 lbs	55 lbs	60 lbs	80 lbs	130 lbs	130 lbs
Weight	238 lbs	230 lbs	240 lbs	273 lbs	480 lbs	300 lbs	325 lbs	325 lbs
Convection Fan	130 CFM	105 CFM	160 CFM	160 CFM	300 CFM	300 CFM	455 CFM	455 CFM

**Stove Dimensions\***

Model	Mini	Empress	EF3	Meridian	M55 Cast	M55 Steel	MAXX-M	MAXX
Stove Width	1"	26"	24"	25"	30"	24"	27"	27"
Stove Height	34"	27"	32"	33"	32"	37"	42"	42"
Stove Depth	20"	26"	24"	25"	30"	29"	31"	31"

**Clearance to Combustibles\***

Model	Mini	Empress	EF3	Meridian	M55 Cast	M55 Steel	MAXX-M	MAXX
Min. distance to the stove's sides	8"	8"	8"	6"	9"	12"	12"	12"
Min. distance behind the stove	4"	3"	2"	3"	3"	3"	4"	4"
Min. distance above the stove	48"	48"	48"	48"	48"	48"	48"	48"
Min. distance corner to wall	3"	3"	2"	2"	3"	3"	4"	4"

\* Refer to your owners manual for detailed measurements.